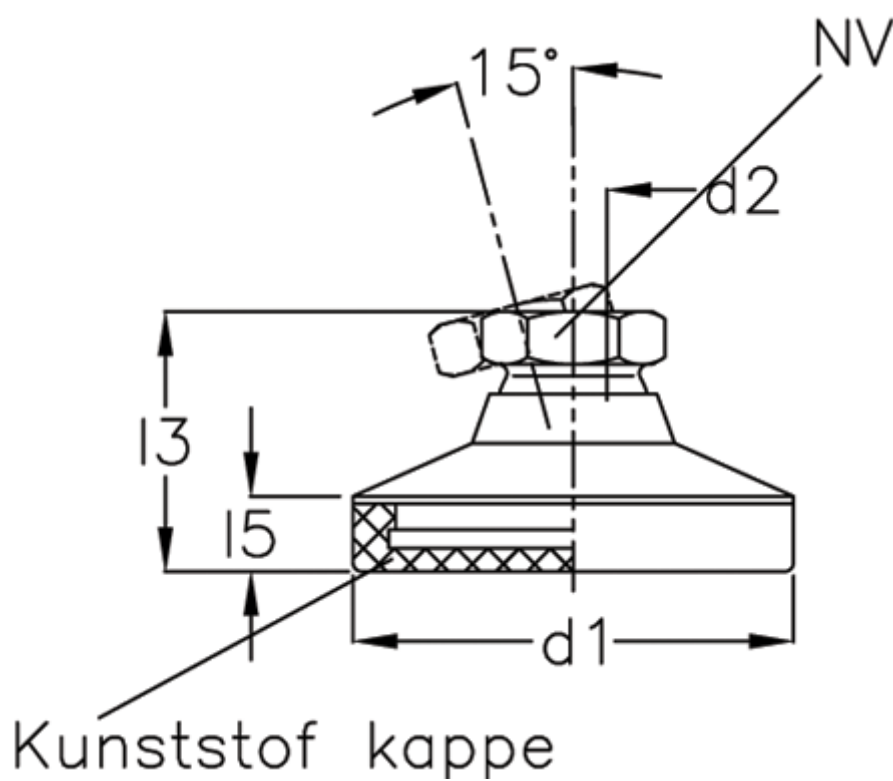


Article number: 20343525M8OS  
Description: E+G levelling foot  
GN 343.5-25-M8-OS

## Measures



d1	= 25
d2	= 8
l3	= -
l5	= -
NV	= 12
Static load (N)	= 7
t min	= 9